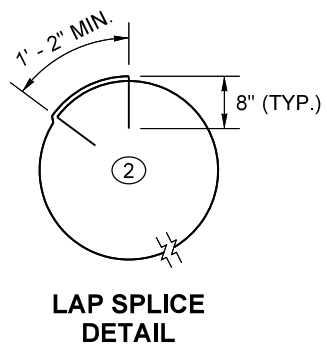


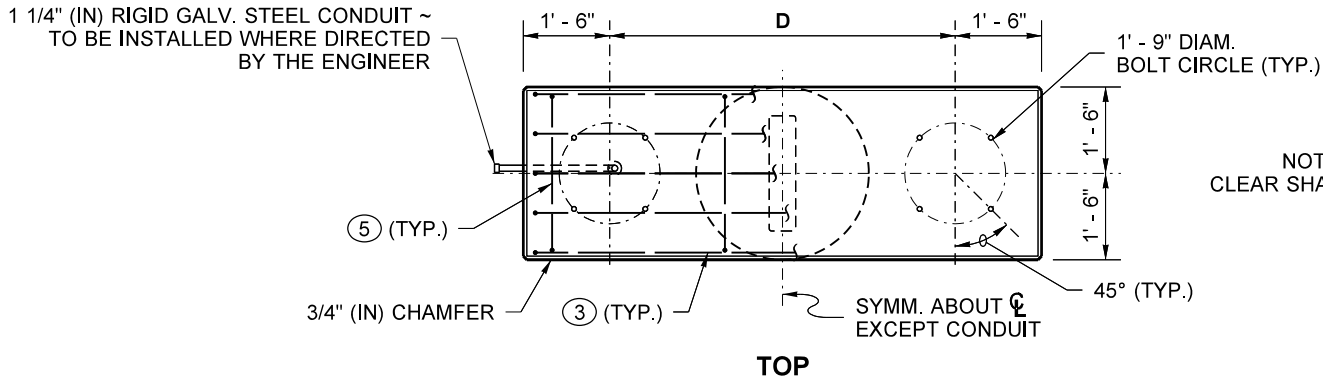
DRAWN BY: COLBY FLETCHER

MATERIAL SPECIFICATIONS	
SHAFT CONCRETE	CLASS 4000P \diamond
ALL OTHER CONCRETE	CLASS 4000
STEEL REINF. BAR	AASHTO M 31 GRADE 60
ANCHOR RODS	ASTM F 1554 GRADE 105
ANCHOR NUTS	AASHTO M 291
ANCHOR WASHERS	AASHTO M 293
ANCHORAGE GALVANIZING	AASHTO M 232
ANCHOR PLATE	ASTM A 36

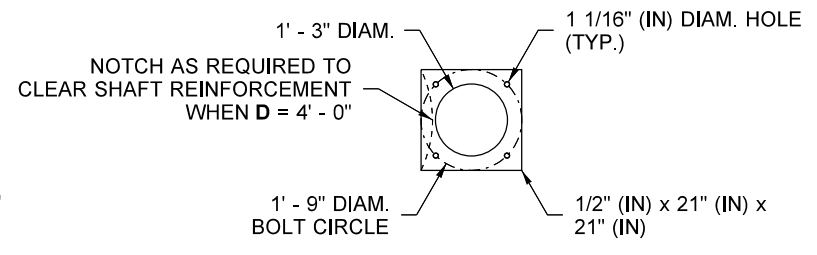
\diamond CASE THE EXCAVATION AND PLACE USING TREMIE METHOD WHEN WATER IS PRESENT



LAP SPLICE DETAIL



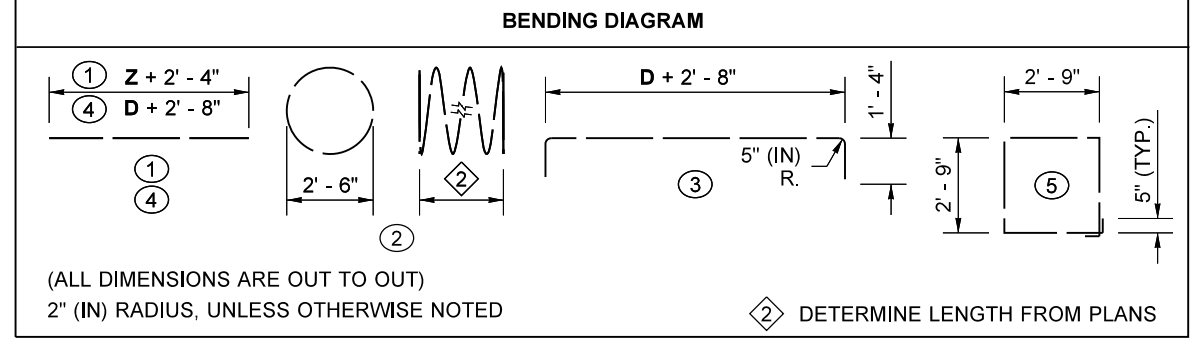
TOP



ANCHOR PLATE DETAIL

VARIABLES	SPAN LENGTH				ALLOWABLE LATERAL BEARING PRESSURE (PSF)
	60' OR LESS	61' TO 90'	91' TO 120'	121' TO 150'	
DIMENSION ~ D	4' - 0"	5' - 0"	6' - 0"	7' - 0"	2500 OR BETTER
BAR SPACES ~ N	2	3	6	10	
SHAFT DEPTH ~ Z	11' - 6"	13' - 6"	15' - 0"	16' - 6"	

MARK	LOCATION	SPAN LENGTH							
		60' OR LESS		61' TO 90'		91' TO 120'		121' TO 150'	
		QTY.	SIZE	QTY.	SIZE	QTY.	SIZE	QTY.	SIZE
①	SHAFT - VERTICAL	11	9	14	11	18	11	23	11
②	SHAFT - SPIRAL	1	4	1	4	1	4	1	4
③	CAP - TOP AND BOTTOM	8	6	8	7	10	8	12	8
④	CAP - SIDES	6	4	6	4	6	4	6	4
⑤	CAP - HOOPS	6	4	8	4	14	4	22	4

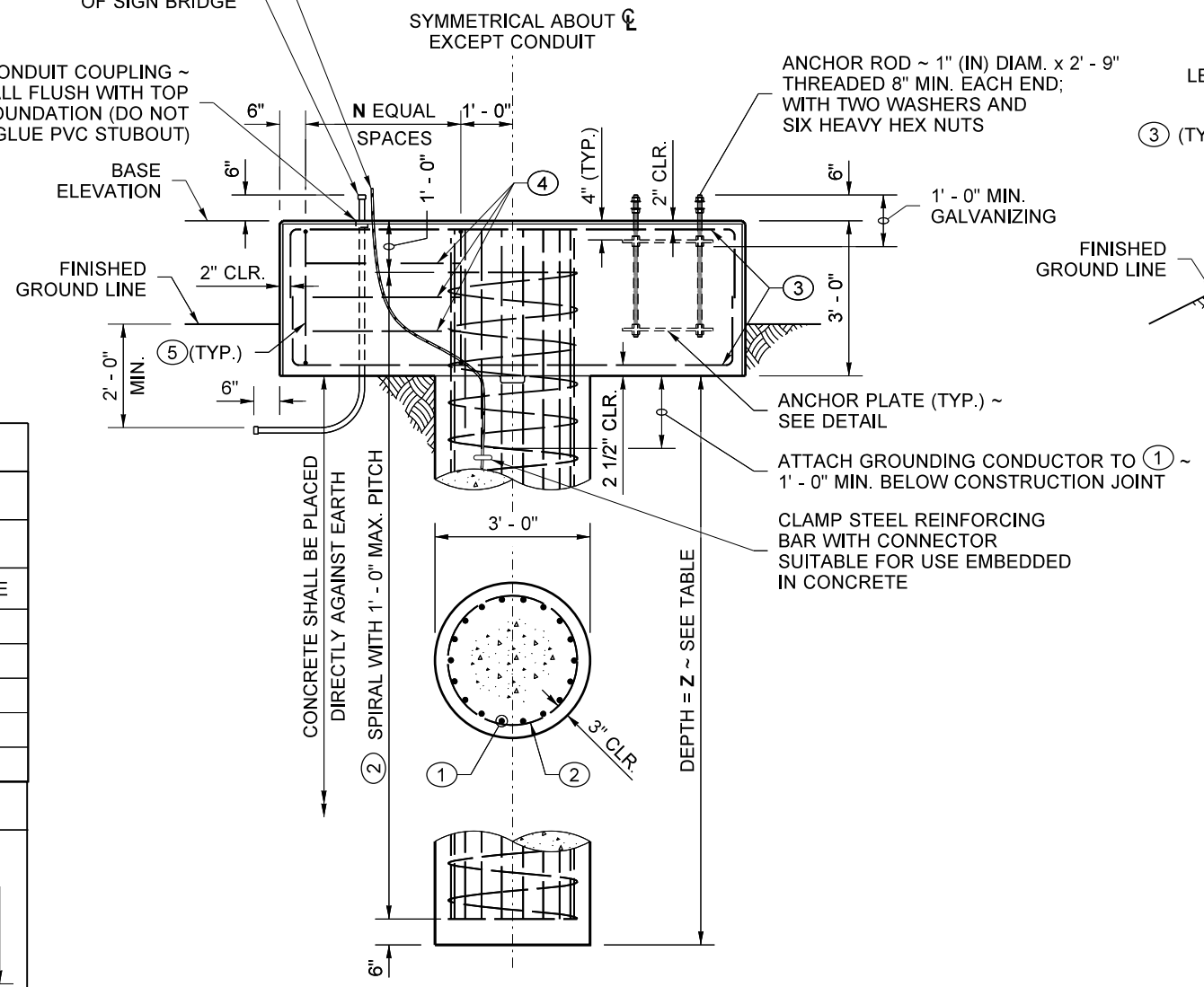


(ALL DIMENSIONS ARE OUT TO OUT)
2" (IN) RADIUS, UNLESS OTHERWISE NOTED

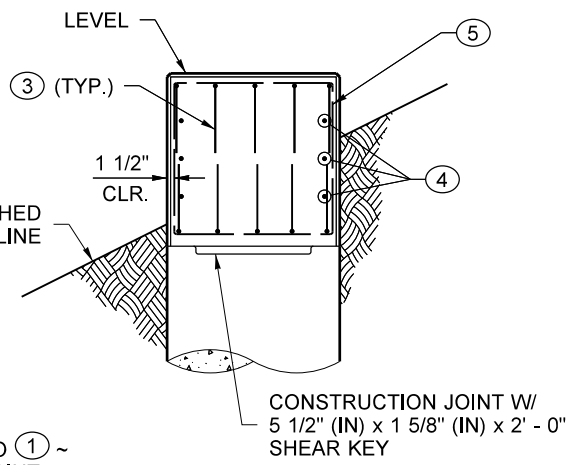
\diamond DETERMINE LENGTH FROM PLANS

GROUNDING CONDUCTOR SHALL BE NON-INSULATED #4 AWG STRANDED COPPER ~ PROVIDE 3' - 0" MIN. SLACK (ROUTE TO GROUNDING STUD)
INSTALL CONDUIT ON BOTH ENDS OF SIGN BRIDGE

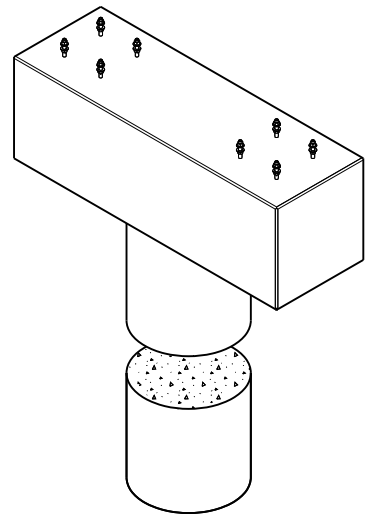
CONDUIT COUPLING ~ INSTALL FLUSH WITH TOP OF FOUNDATION (DO NOT GLUE PVC STUBOUT)



ELEVATION
FOUNDATION TYPE 1



END



ISOMETRIC

FILE NAME	S:\Design R P& S\4-Standards\2-Plan Sheet Library\02-PSL Work in Progress\Fern\SD-14) Sign Bridge (Truss Type) Foundation Type1\SD-14.e.dgn	REGION NO.	STATE	FED. AID PROJ. NO.		SD-14
TIME	7:08:16 AM	10	WASH			
DATE	7/26/2019	JOB NUMBER			SIGN BRIDGE (TRUSS TYPE) FOUNDATION TYPE 1	SHEET 1 OF 1 SHEETS
PLOTTED BY	liddelf	CONTRACT NO.				
DESIGNED BY		LOCATION NO.				
ENTERED BY						
CHECKED BY						
PROJ. ENGR.						
REGIONAL ADM.						
REVISION		DATE	BY			