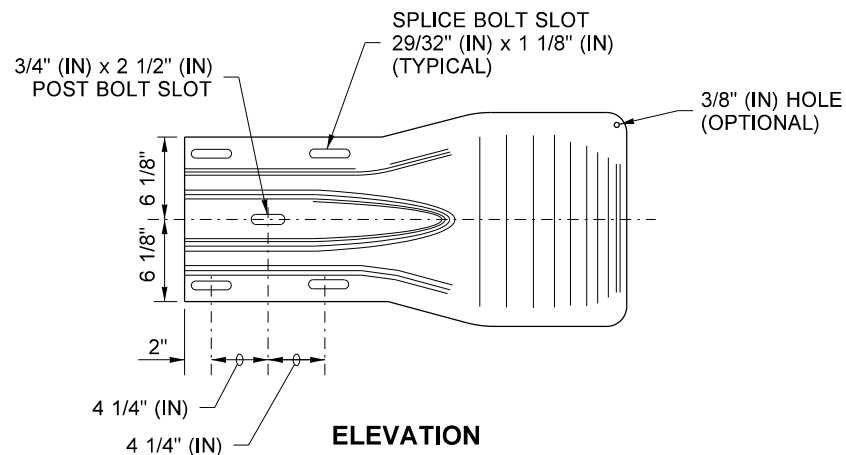
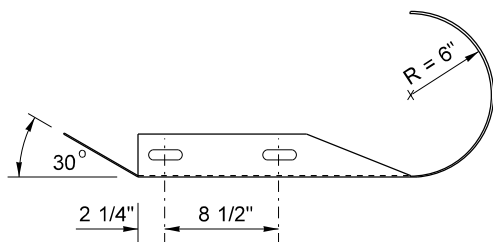


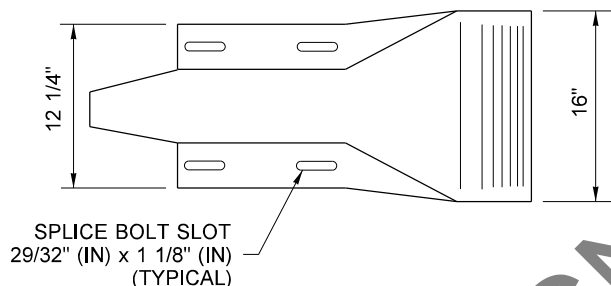
PLAN



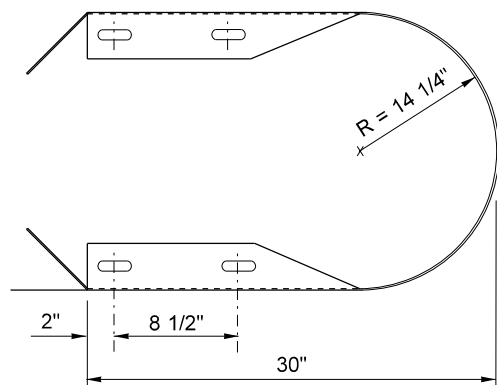
ELEVATION
DESIGN A



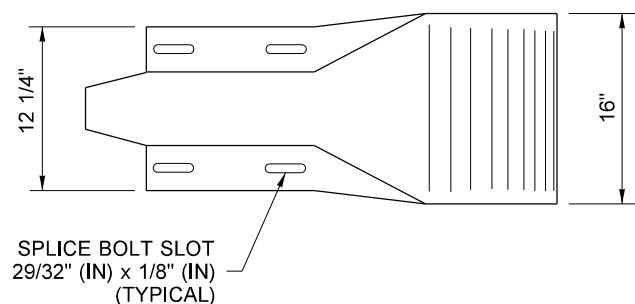
PLAN



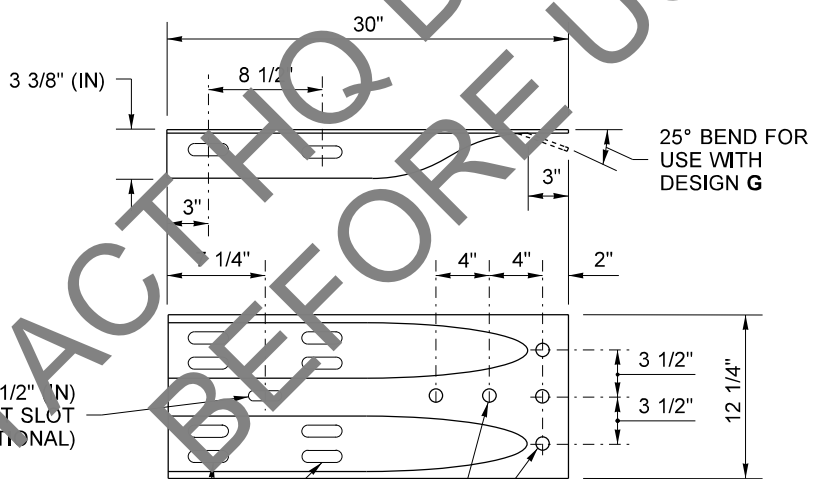
ELEVATION
DESIGN C



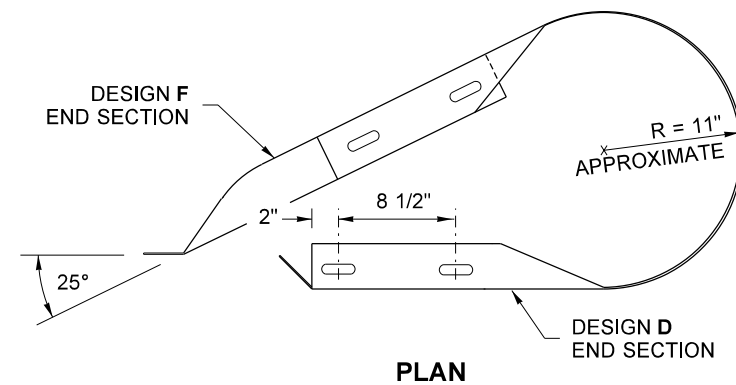
PLAN



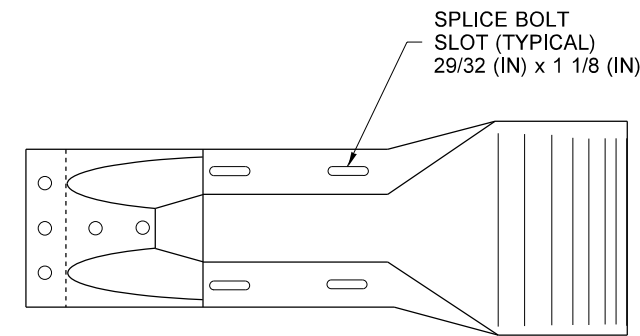
ELEVATION
DESIGN D



ELEVATION
DESIGN F
(SEE NOTE 4)



PLAN



ELEVATION
DESIGN G
(SEE NOTE 3)

NOTES

1. End Section Design G shall be used except where noted on the plans or contract.
2. Attach guardrail to bridge rail or concrete barrier with 7/8" (in) diameter bolts (five minimum) **Standard Specification Section 9-06.5(4)**, with thin slab ferrule inserts or resin bonded anchors. See the Contract Plans.
3. In cases where Design "F" End Section is lapped on the outside of the guardrail, a galvanized 1" ID, 2" OD, 0.134" (in) thick, narrow Type A Plain Washer or an anchor rail washer shall be placed under the splice bolt heads.
4. A single piece having similar dimensional shape to Design G and mating with the W-beam guardrail is an alternate.

CONTACT HQ BEFORE USING

FILE N-ME	S:\Design R P& S\4-Standards\2-Plan Sheet Library\01-Master_PSL\TB\Traffic Barrier\TB (C-conversions) for 2022\TB-I22 (c7).dgn		
TIME	7:06:19 AM		
D-TE	7/19/2022		
PLOTTED BY	liddelf		
DESIGNED BY			
ENTERED BY			
CHECKED BY			
PROJ. ENGR.			
REGION-L -DM.	REVISION	D-TE	BY

REGION NO.	ST-TE	FED.-ID PROJ.NO.
10	W-SH	
JOB NUMBER		
CONTR-CT NO.	LOC-TION NO.	
P.E. ST-MP BOX	DATE	P.E. ST-MP BOX



BEAM GUARDRAIL END SECTIONS		TB-122
		SHEET 1 OF 1 SHEETS