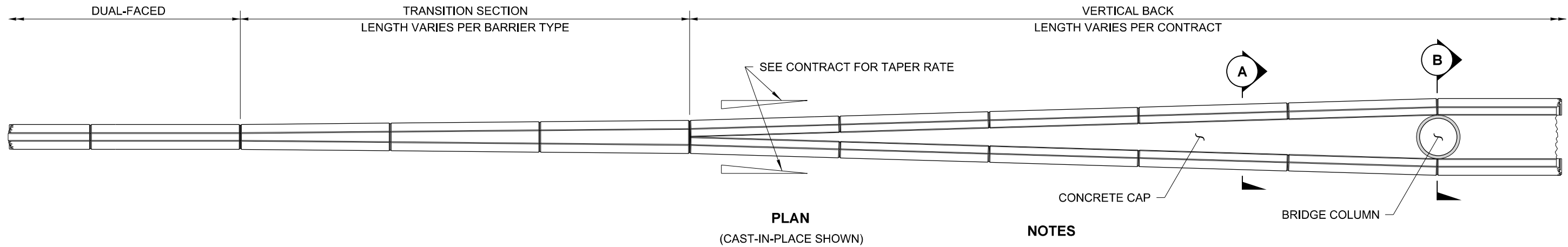
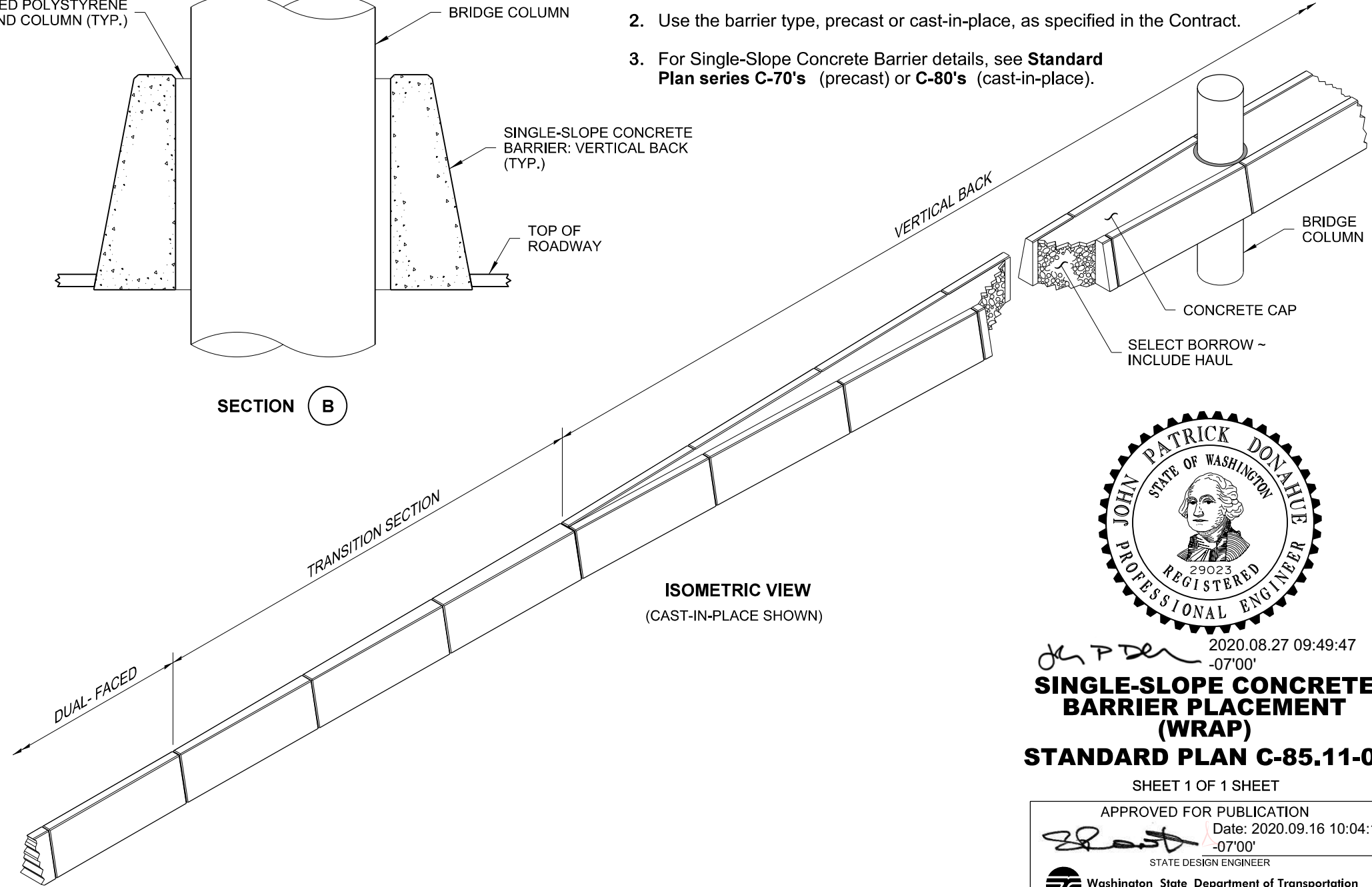
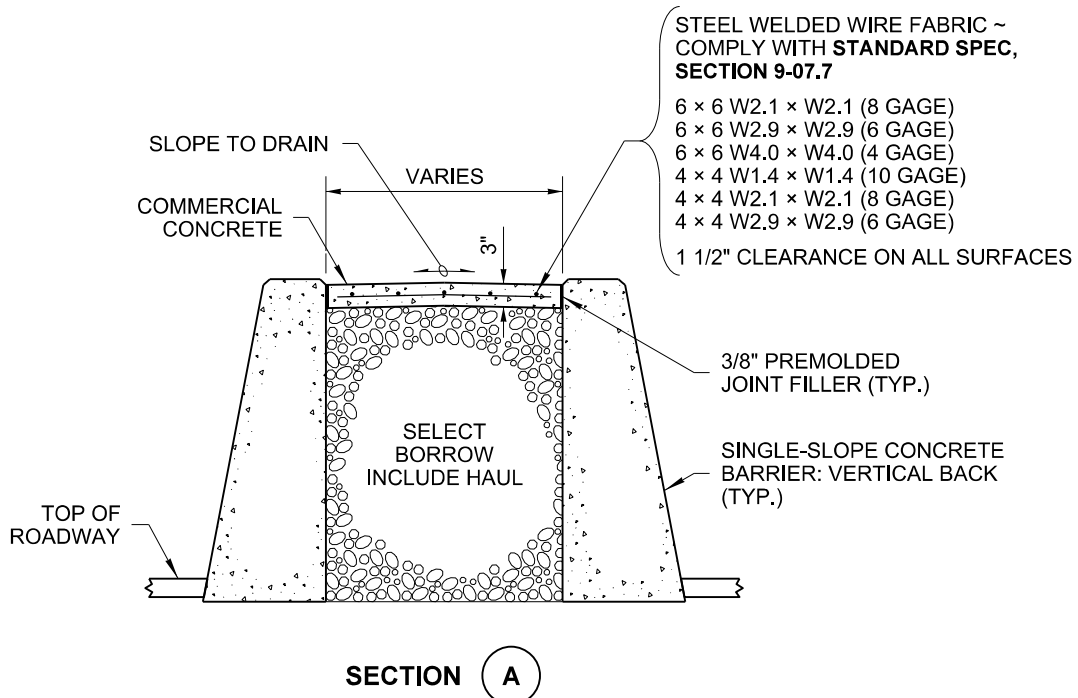
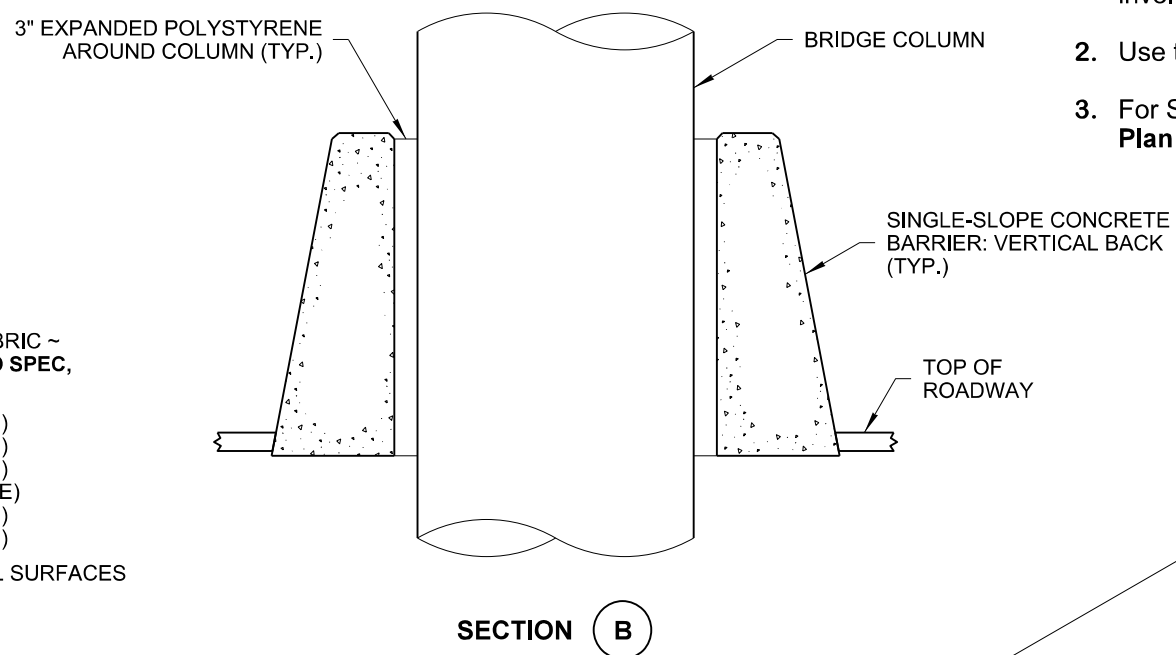


DRAWN BY: FERN LIDDELL

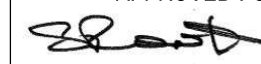



NOTES

- Existing barrier in front of bridge piers following this plan placement may remain in place for preservation (P1, P2 and P3) projects. Contact the HQ Bridge traffic barrier specialist before using this barrier placement plan for projects involving new or reconstructed bridges.
- Use the barrier type, precast or cast-in-place, as specified in the Contract.
- For Single-Slope Concrete Barrier details, see **Standard Plan series C-70's** (precast) or **C-80's** (cast-in-place).



 2020.08.27 09:49:47
 -07'00'
SINGLE-SLOPE CONCRETE BARRIER PLACEMENT (WRAP)
STANDARD PLAN C-85.11-01

SHEET 1 OF 1 SHEET
 APPROVED FOR PUBLICATION
 Date: 2020.09.16 10:04:15
 -07'00'
 STATE DESIGN ENGINEER
 Washington State Department of Transportation