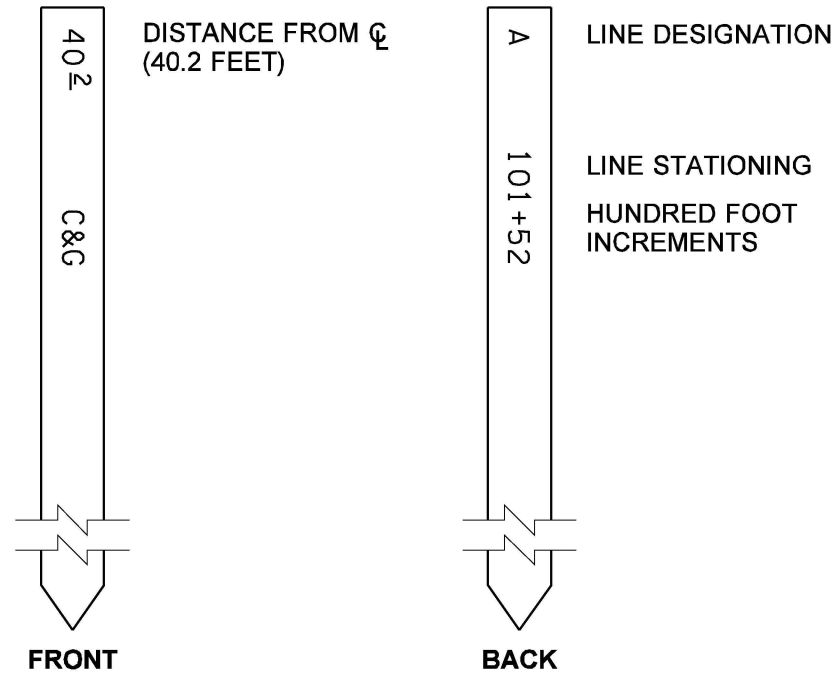
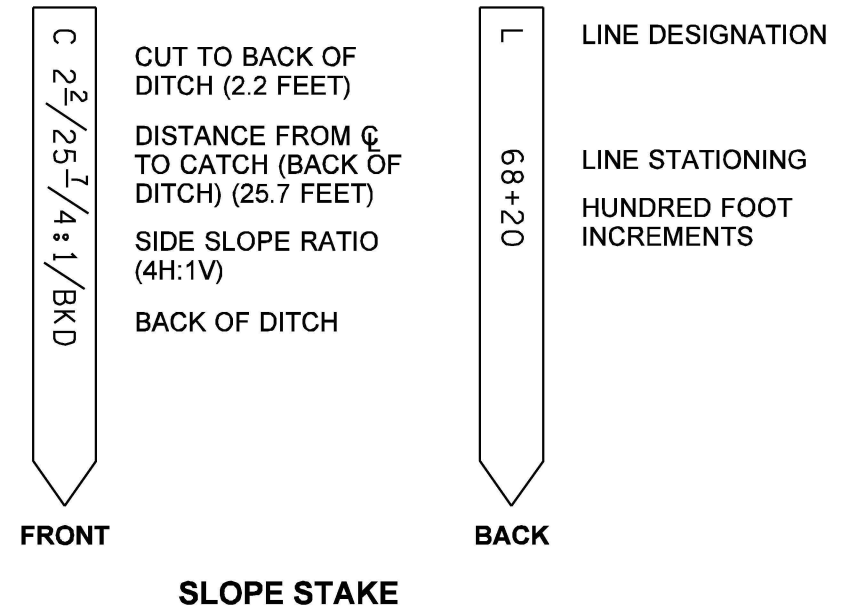


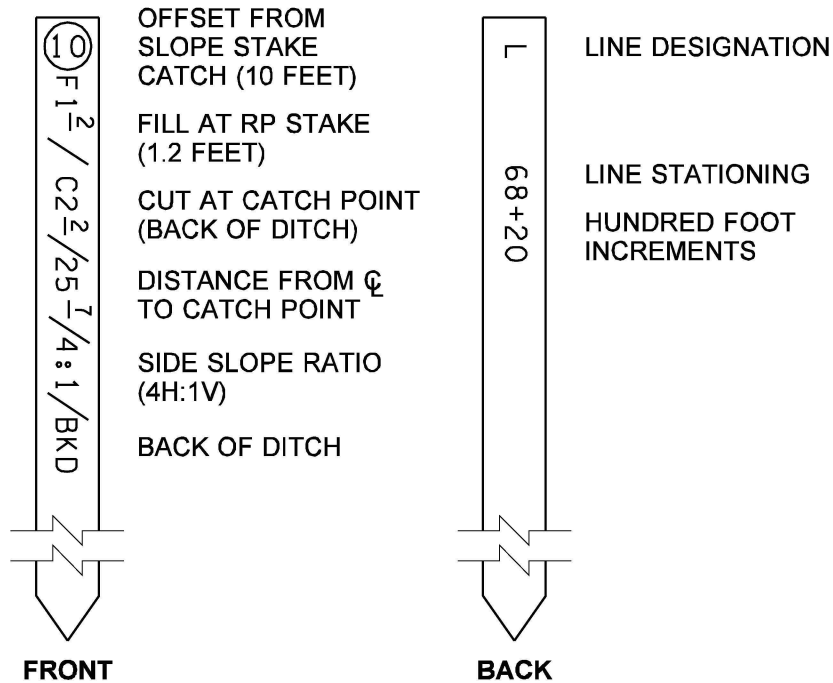
ALIGNMENT STAKE
STAKE EVERY 100 FEET ON TANGENTS,
EVERY 25 FEET ON CURVES



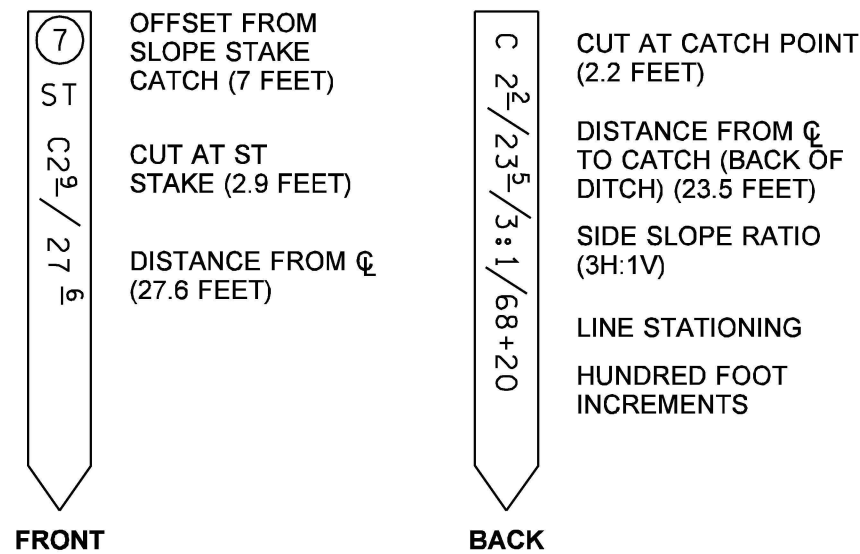
CLEARING/GRUBBING (C&G) LATH
STAKE AT EACH FULL STATION,
100 FEET ON TANGENTS,
EVERY 25 FEET ON CURVES.
NO HUB NECESSARY.



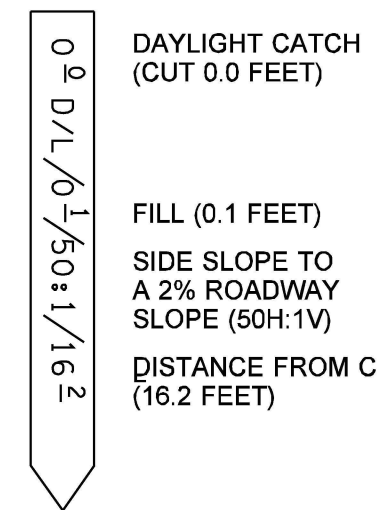
SLOPE STAKE



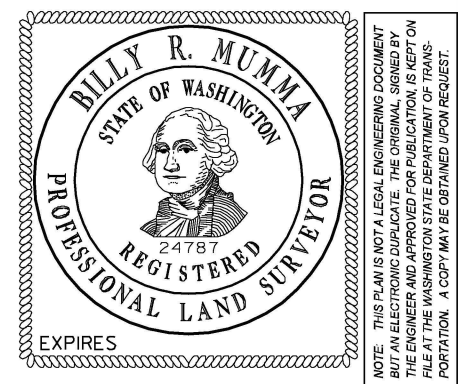
LATH FOR SLOPE REFERENCES



**SLOPE TREATMENT (ST) STAKE
FOR CUT SECTIONS**



DAYLIGHT (D/L) STAKE



SURVEY STAKES

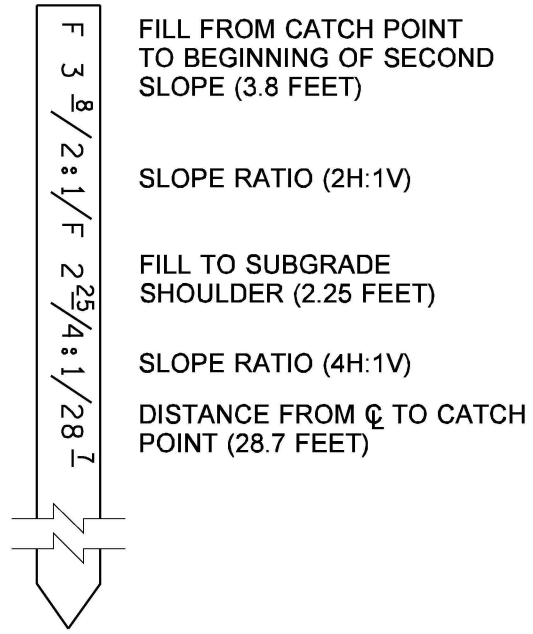
STANDARD PLAN A-10.10-00

SHEET 1 OF 2 SHEETS

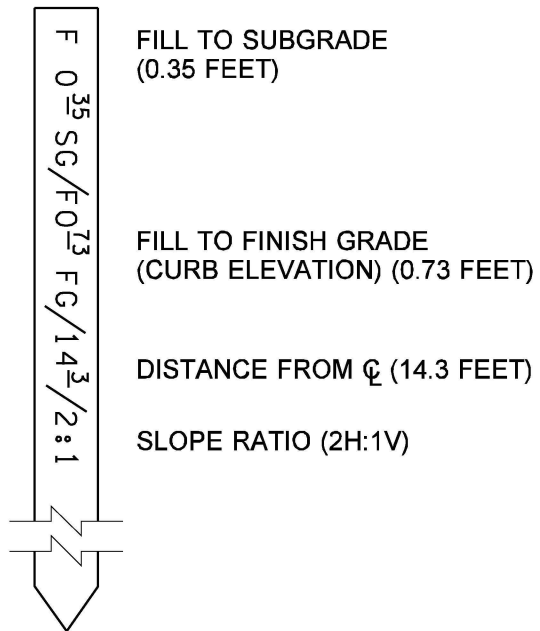
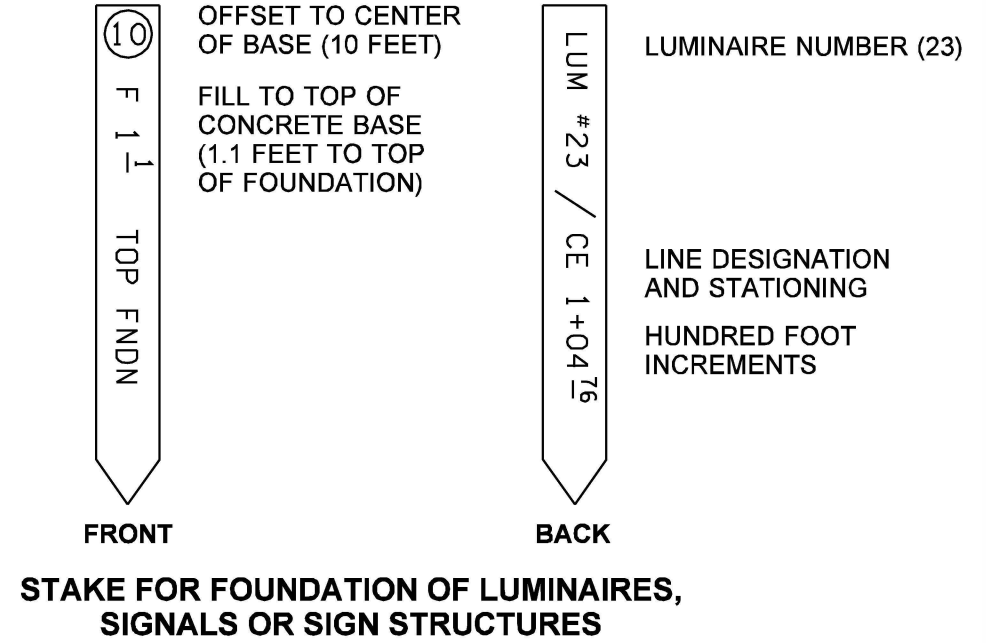
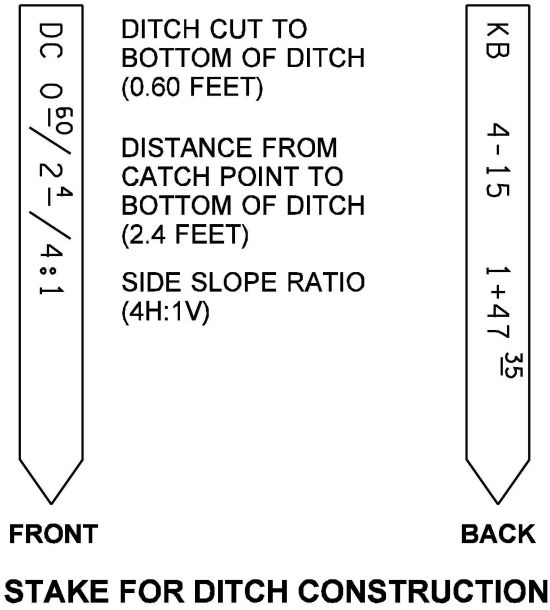
APPROVED FOR PUBLICATION

Pasco Bakotich III 08-07-07

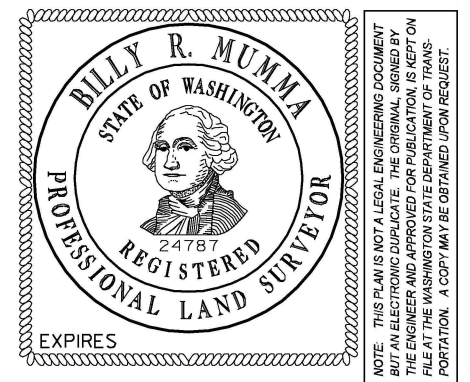
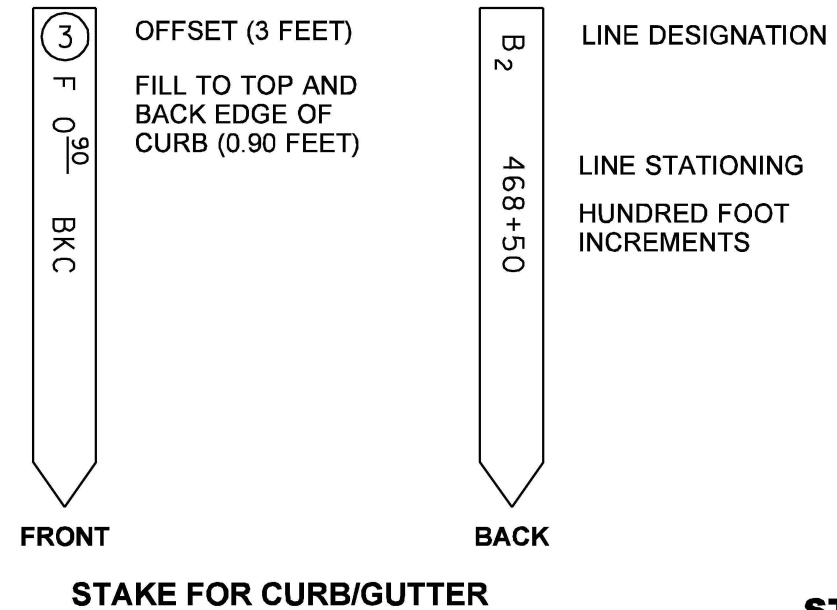
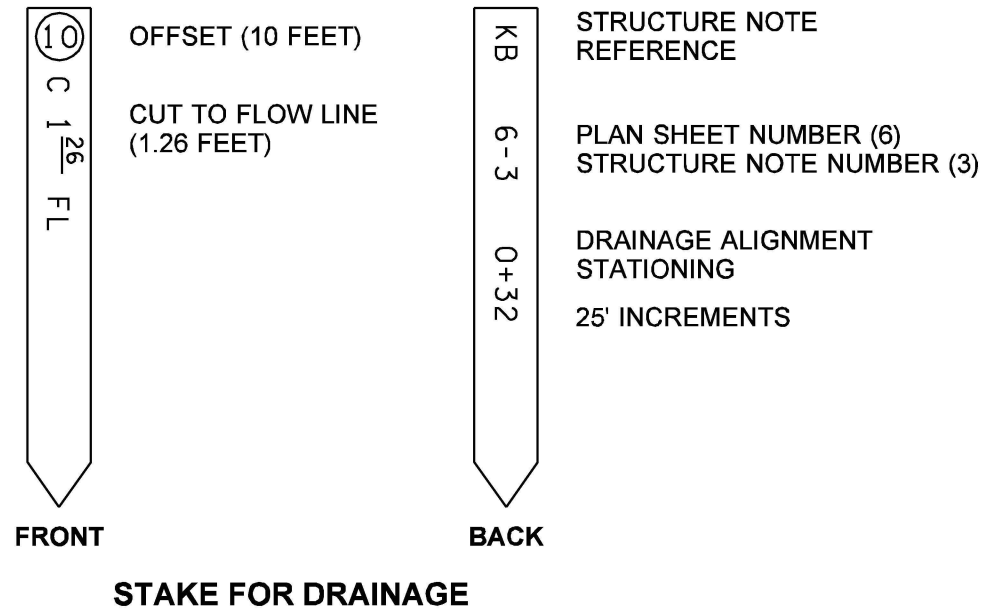
STATE DESIGN ENGINEER DATE



COMPOUND SLOPE LATH



SLOPE LATH FOR CURB SECTION



SURVEY STAKES

STANDARD PLAN A-10.10-00

SHEET 2 OF 2 SHEETS

APPROVED FOR PUBLICATION

Pasco Bakotich III 08-07-07

STATE DESIGN ENGINEER DATE

