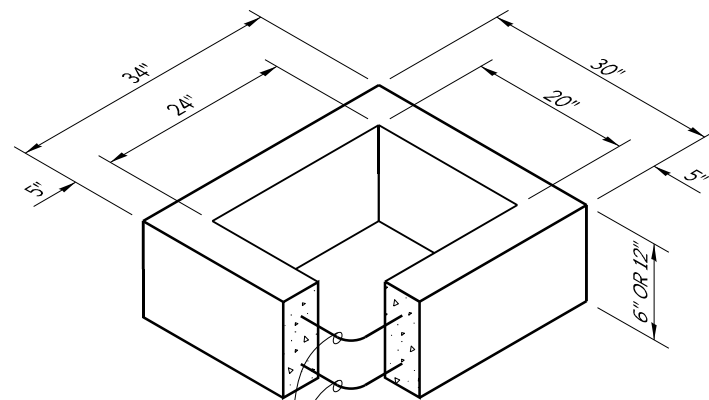
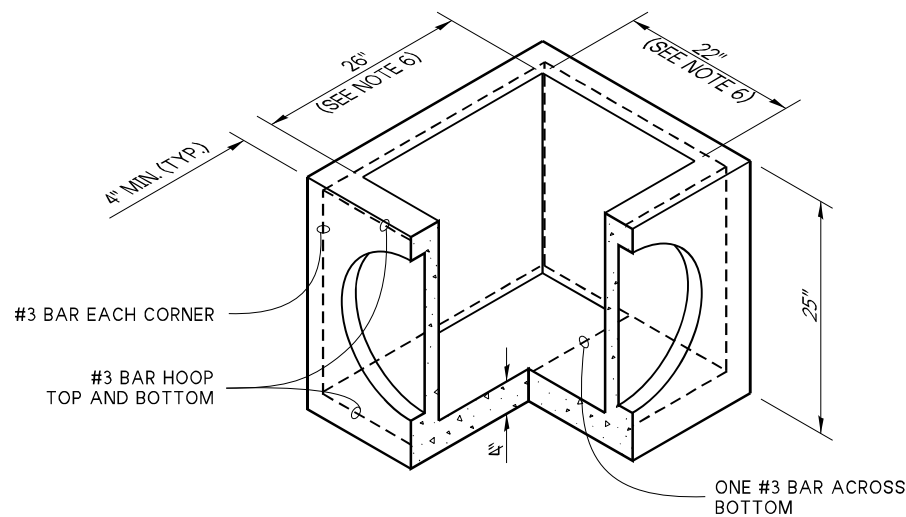


FRAME AND VANED GRATE



ONE #3 BAR HOOP FOR 6" (IN) HEIGHT  
TWO #3 BAR HOOPS FOR 12" (IN) HEIGHT

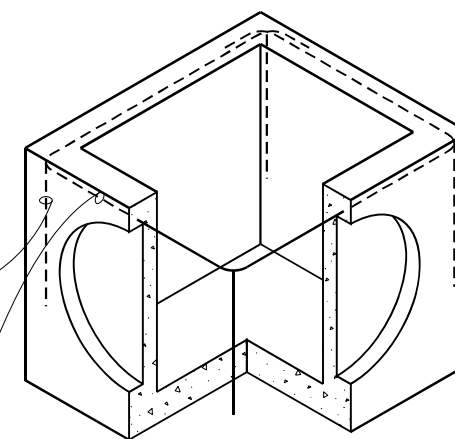
RECTANGULAR ADJUSTMENT SECTION



PRECAST BASE SECTION

PIPE ALLOWANCES	
PIPE MATERIAL	MAXIMUM INSIDE DIAMETER (INCHES)
REINFORCED OR PLAIN CONCRETE	12"
ALL METAL PIPE	15"
CPSSP * (STD. SPEC. SECT. 9-05.20)	12"
POLYPROPYLENE (STD. SPEC. SECT. 9-05.24)	12"
SOLID WALL PVC (STD. SPEC. SECT. 9-05.12(1))	15"
PROFILE WALL PVC (STD. SPEC. SECT. 9-05.12(2))	15"

\* CORRUGATED POLYETHYLENE STORM SEWER PIPE



ALTERNATIVE PRECAST BASE SECTION

(SEE NOTE 1)

## NOTES

- As acceptable alternatives to the rebar shown in the PRECAST BASE SECTION, fibers (placed according to the Standard Specifications), or wire mesh having a minimum area of 0.12 square inches per foot shall be used with the minimum required rebar shown in the ALTERNATIVE PRECAST BASE SECTION. Wire mesh shall not be placed in the knockouts.
- The knockout diameter shall not be greater than 18" (in). Knockouts shall have a wall thickness of 2" (in) minimum to 2.5" (in) maximum. Provide a 1.5" (in) minimum gap between the knockout wall and the outside of the pipe. After the pipe is installed, Fill the gap with joint mortar in accordance with Standard Specification Section 9-04.3.
- The maximum depth from the finished grade to the lowest pipe invert shall be 5' (ft).
- The frame and grate may be installed with the flange up or down. The frame may be cast into the adjustment section.
- The Precast Base Section may have a rounded floor, and the walls may be sloped at a rate of 1 : 24 or steeper.
- The opening shall be measured at the top of the precast base section.
- All pickup holes shall be grouted full after the inlet has been placed.
- Pipe allowances will vary depending on pipe material used. Contact the Region Hydraulic Engineer for assistance.



Aug 23, 2023

CONCRETE INLET

STANDARD PLAN B-25.60-03

SHEET 1 OF 1 SHEET

APPROVED FOR PUBLICATION

*Mark A. Davis*

Aug 23, 2023

STATE DESIGN ENGINEER



Washington State  
Department of Transportation