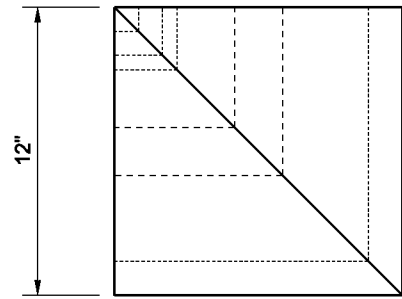
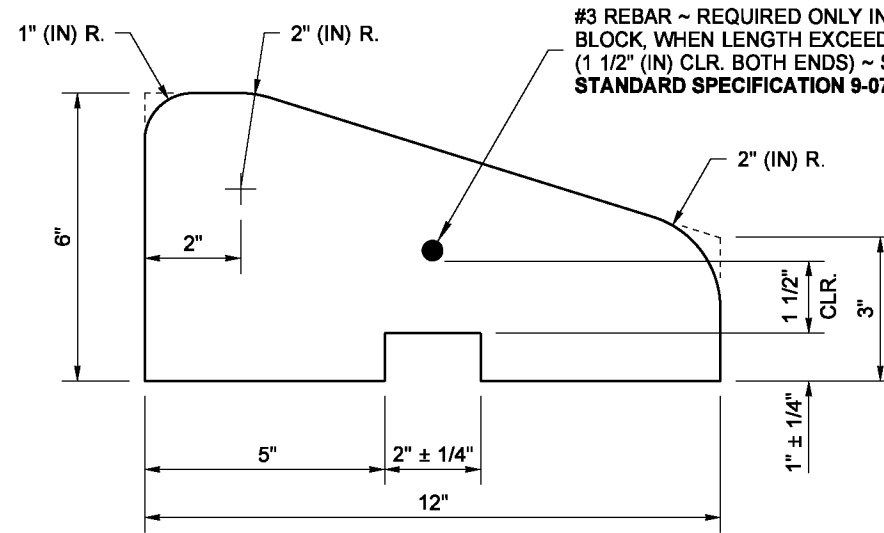


TOP VIEW
INSIDE CORNER BLOCK

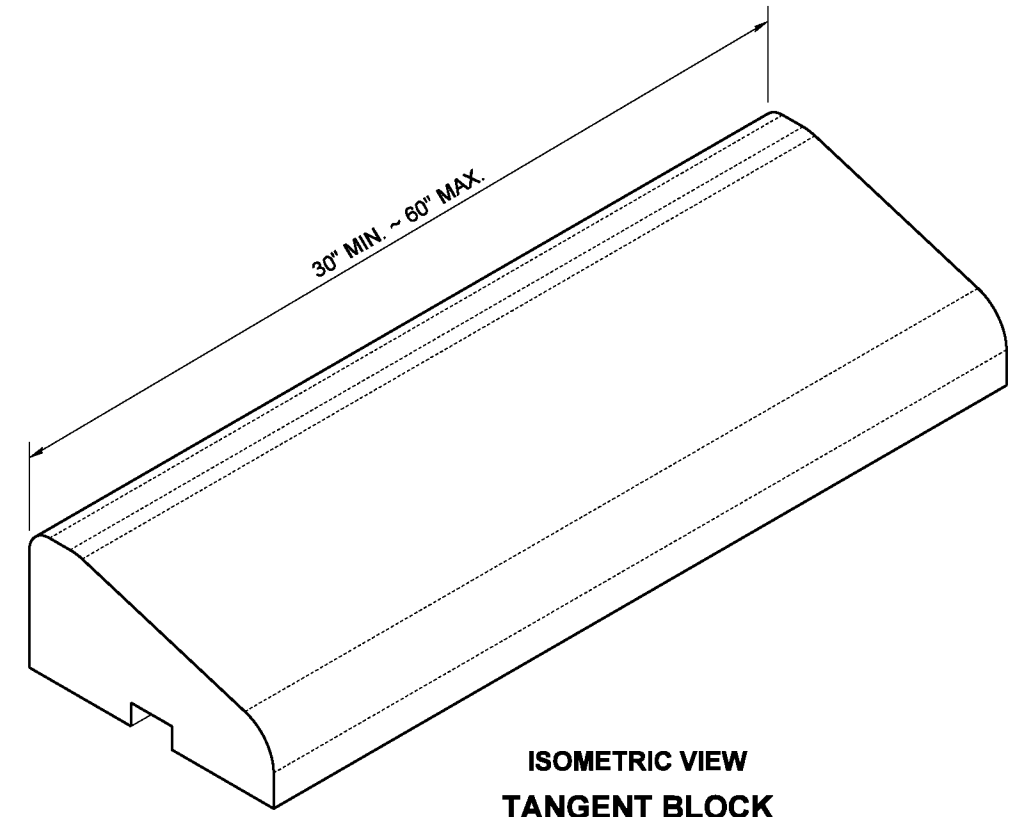


TOP VIEW
OUTSIDE CORNER BLOCK

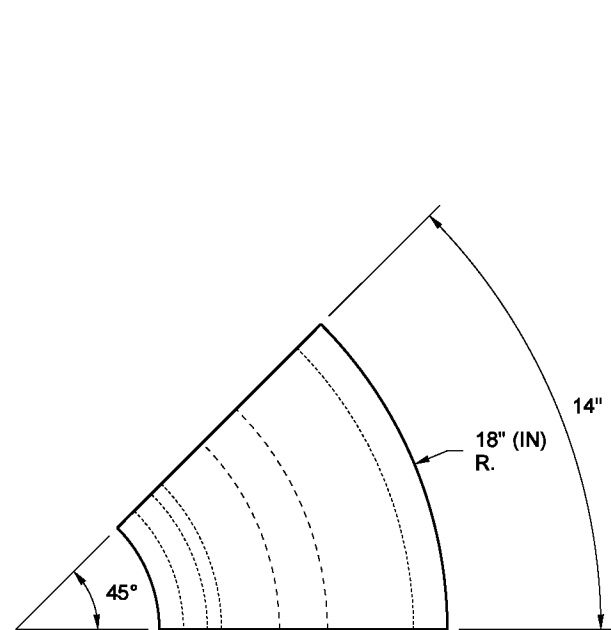


TYPICAL OF ALL
END VIEW

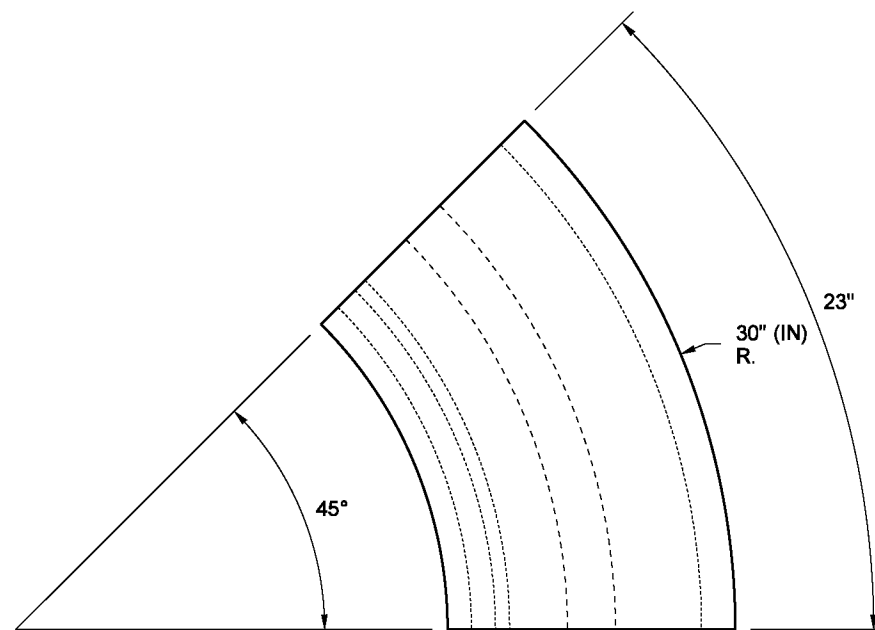
#3 REBAR ~ REQUIRED ONLY IN TANGENT BLOCK, WHEN LENGTH EXCEEDS 30" (IN)
(1 1/2" (IN) CLR. BOTH ENDS) ~ SEE
STANDARD SPECIFICATION 9-07



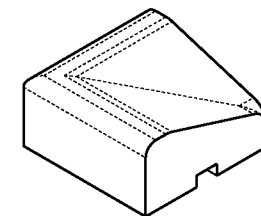
ISOMETRIC VIEW
TANGENT BLOCK



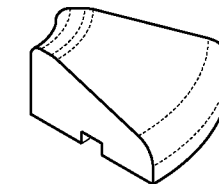
TOP VIEW
18" RADIUS BLOCK



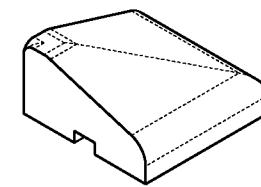
TOP VIEW
30" RADIUS BLOCK



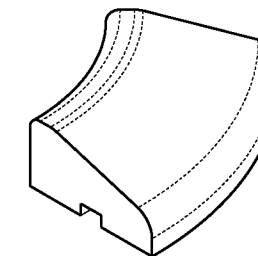
INSIDE CORNER BLOCK



18" (IN) RADIUS BLOCK



OUTSIDE CORNER BLOCK



30" (IN) RADIUS BLOCK

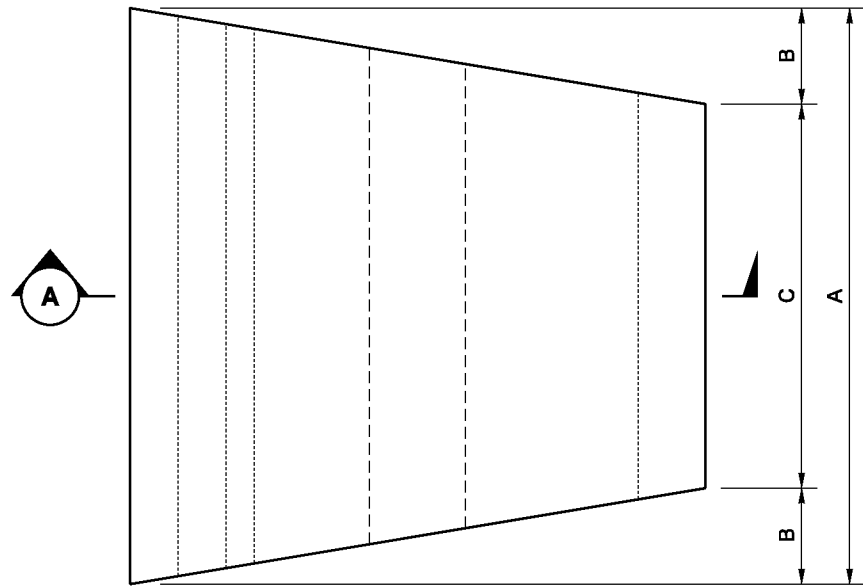
ISOMETRIC VIEWS



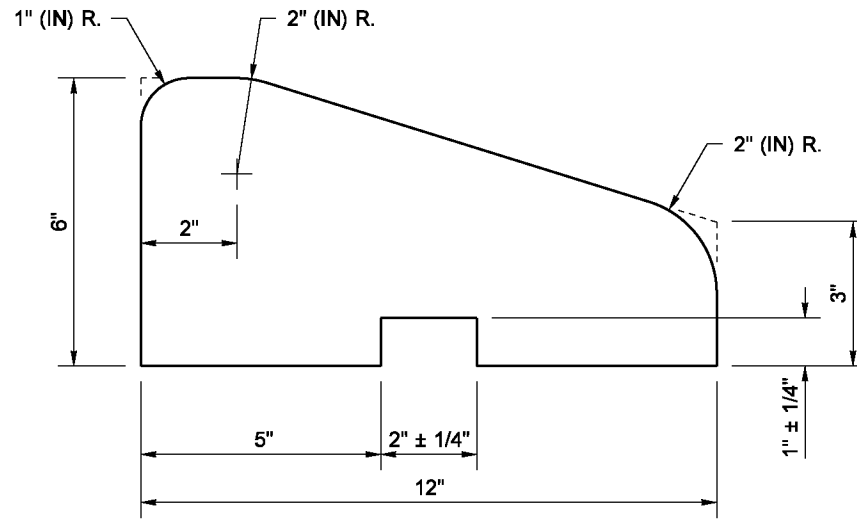
**PRECAST SLOPED
MOUNTABLE CURB
STANDARD PLAN F-10.62-02**

SHEET 1 OF 2 SHEETS

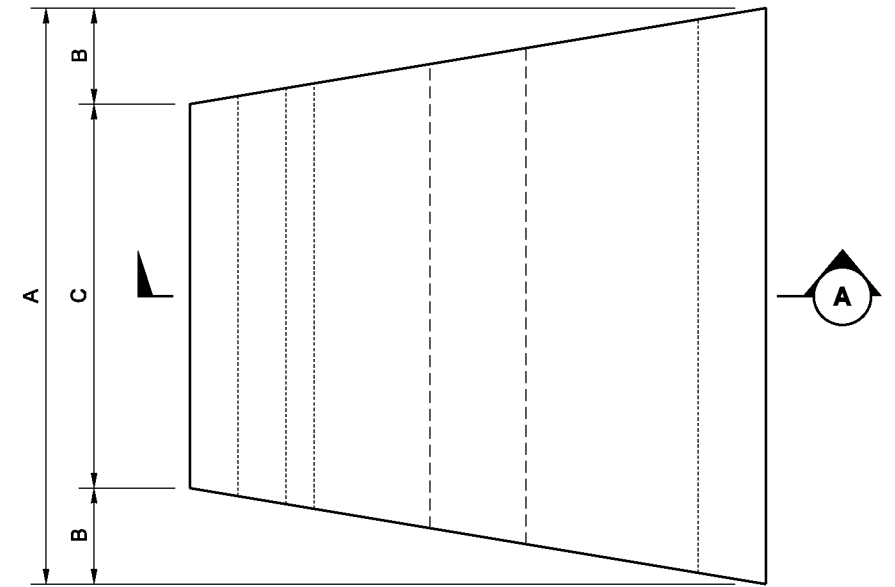
APPROVED FOR PUBLICATION



TOP VIEW
INSIDE RADIUS BLOCK



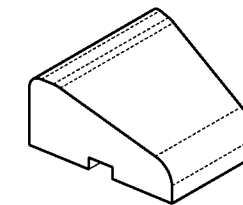
SECTION A



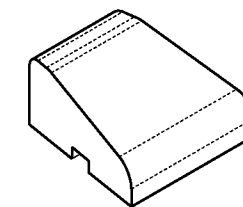
TOP VIEW
OUTSIDE RADIUS BLOCK

CURB RADIUS TABLE			
CURB RADIUS	DIMENSION A	DIMENSION B	DIMENSION C
3'	12"	2"	8"
4' TO 5'	12"	1 1/2"	9"
6'	12"	1"	10"
7'	12"	7/8"	10 1/4"
8'	18"	1 1/8"	15 3/4"
9'	18"	1"	16"
10'	18"	7/8"	16 1/4"
11' TO 13'	18"	3/4"	16 1/2"
14' TO 15'	18"	5/8"	16 3/4"
16' TO 17'	24"	3/4"	22 1/2"
18' TO 22'	24"	5/8"	22 3/4"
23' TO 29'	24"	1/2"	23"
30' TO 34'	30"	1/2"	29"
35' TO 48'	30"	3/8"	29 1/4"
49' TO 60'	30"	1/4"	29 1/2"
OVER 60'	USE TANGENT BLOCK, SEE SHEET 1		

THIS TABLE LISTS THE CALCULATED DIMENSIONS FOR CASTING BLOCKS SUITABLE FOR CONSTRUCTING VARIOUS CURB RADII. CURVED BLOCKS, OR BLOCKS WITH DIFFERENT DIMENSIONS MAY BE ACCEPTABLE WITH PRIOR APPROVAL OF THE ENGINEER.



INSIDE RADIUS BLOCK



OUTSIDE RADIUS BLOCK

ISOMETRIC VIEWS



PRECAST SLOPED MOUNTABLE CURB
STANDARD PLAN F-10.62-02

SHEET 2 OF 2 SHEETS

APPROVED FOR PUBLICATION