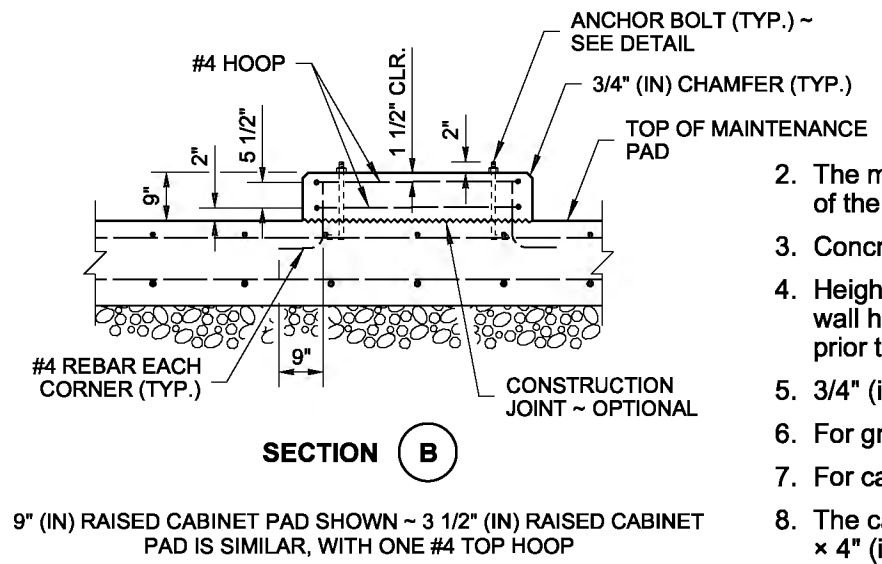
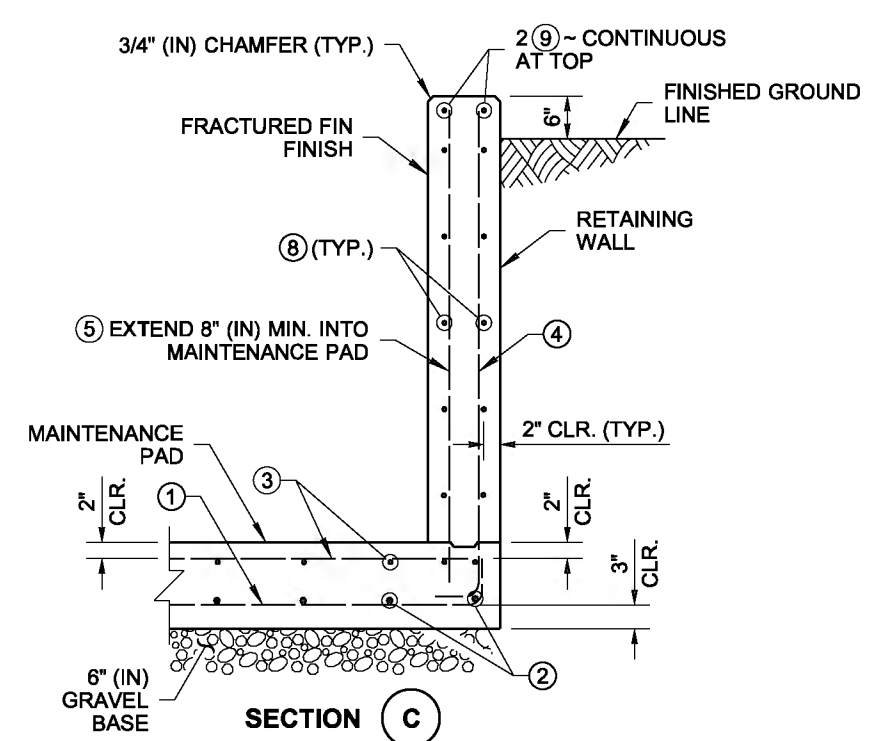
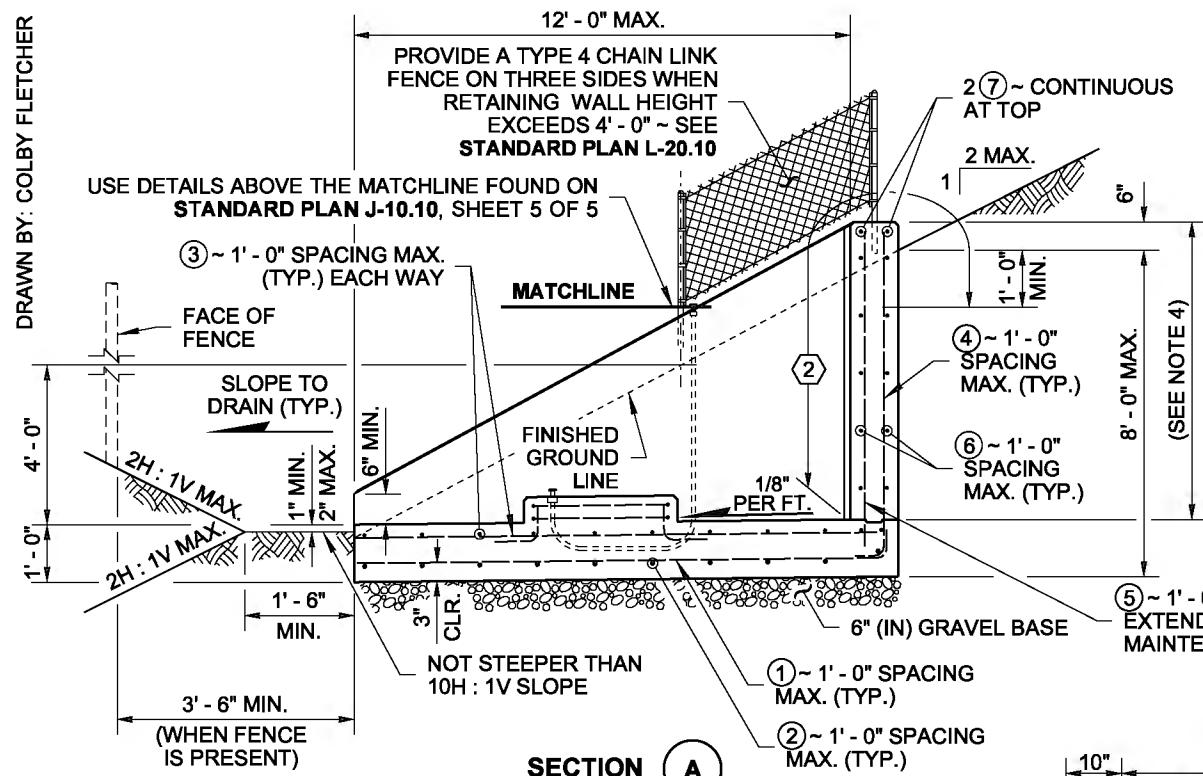
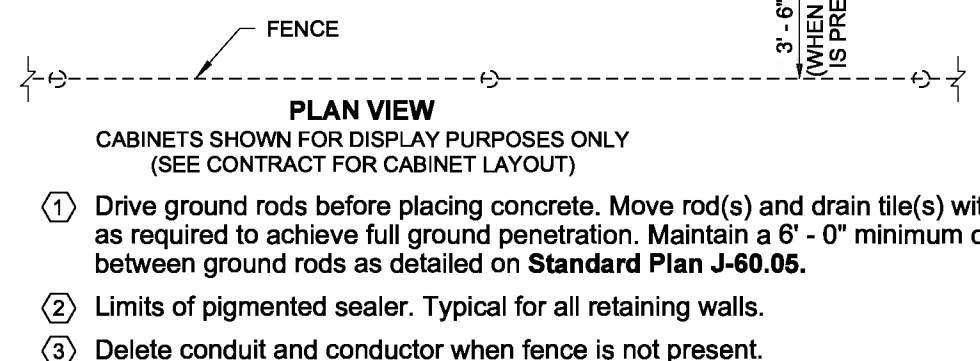
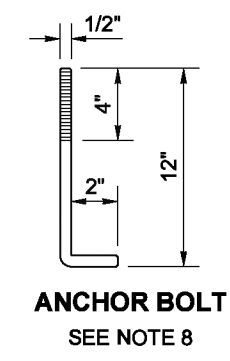
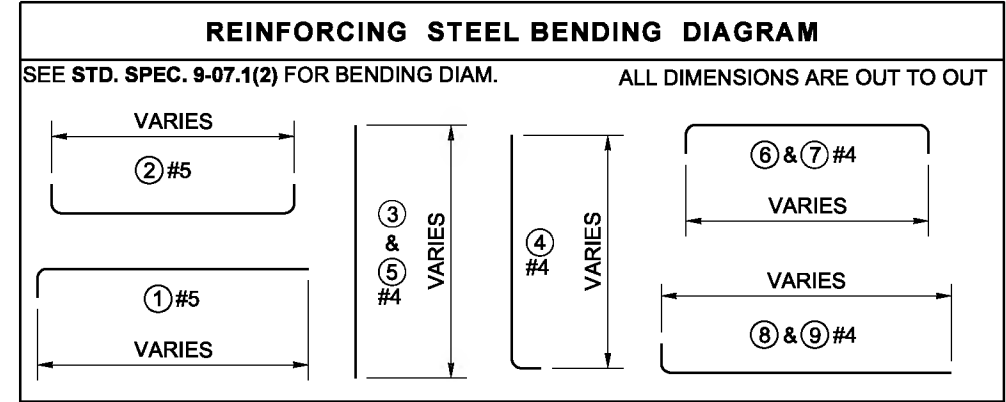
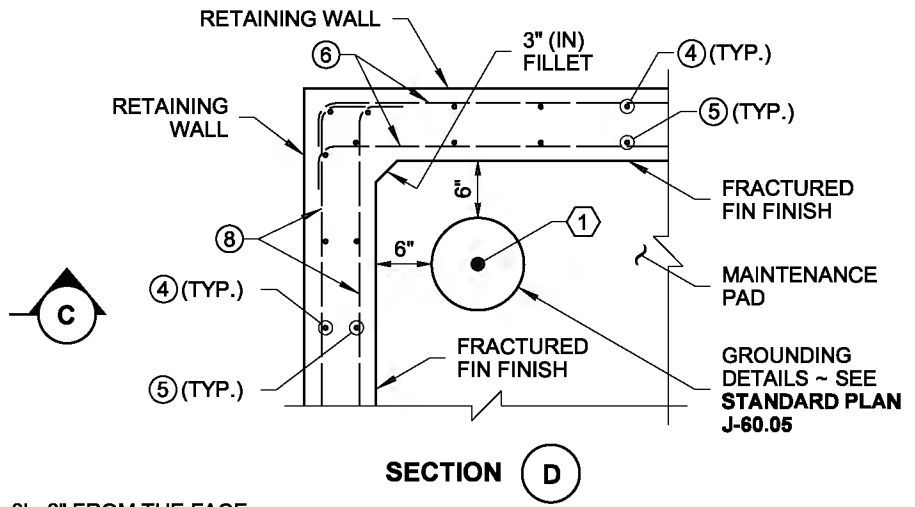
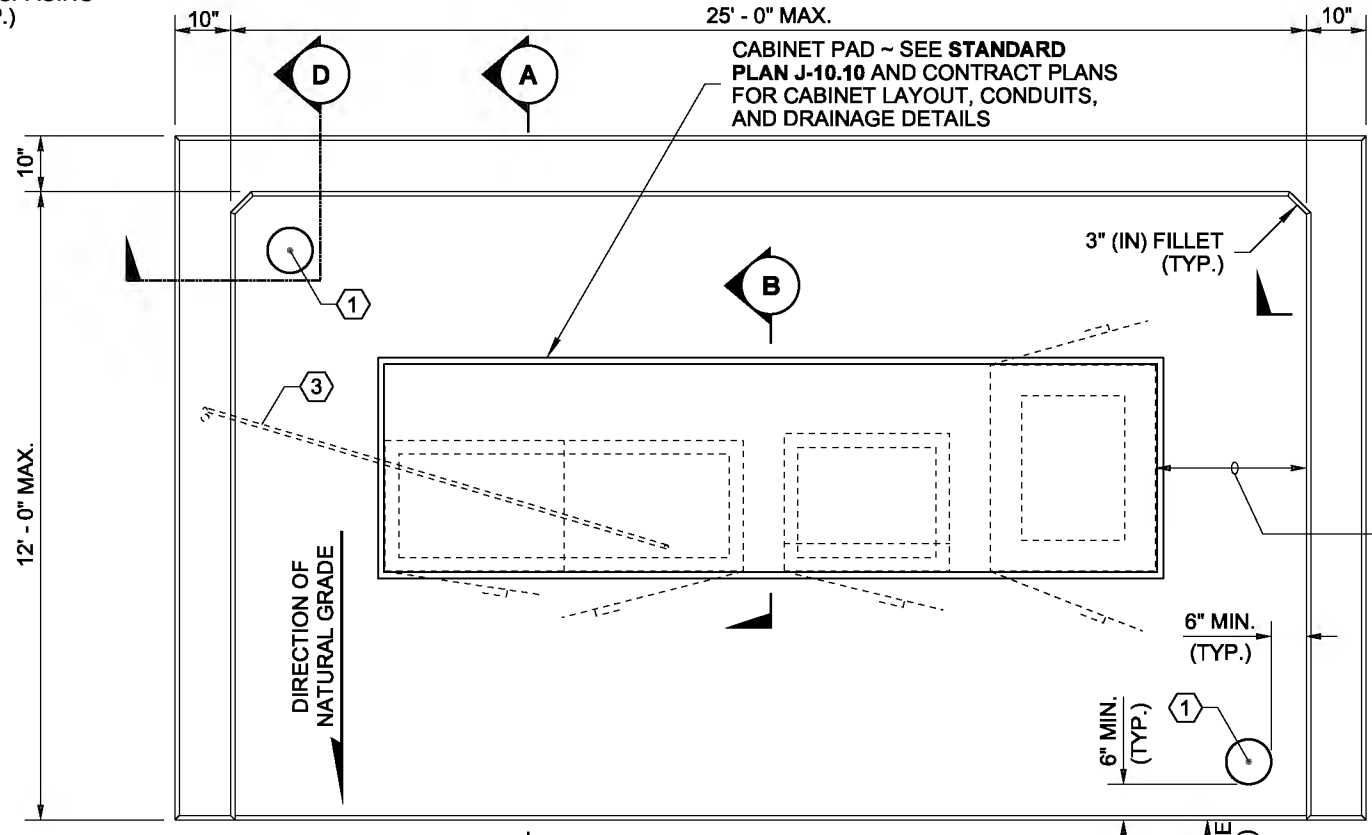


DRAWN BY: COLBY FLETCHER



**NOTES**

1. Contractor shall orient the maintenance pad to align with the direction of natural grade as shown. Obtain Engineer's approval of maintenance pad orientation prior to proceeding with construction.
2. The maintenance pad and retaining walls have been designed to meet the requirements of the AASHTO LRFD Bridge Design Specifications, 6th Edition, 2012.
3. Concrete for walls and bases shall be class 4000.
4. Height of wall varies to match slope of existing grade. Contractor shall field-determine wall height and each maintenance pad location and obtain approval from the Engineer prior to proceeding with construction.
5. 3/4" (in) chamfer for all exposed corners.
6. For grounding details not shown, see **Standard Plan J-60.05**.
7. For cabinet and conduit details not shown, see **Standard Plan J-10.10**.
8. The cabinets shall be attached to the foundation with 4 each: 1/2" (in) x 12" (in) x 2" (in) x 4" (in) anchor bolts (see Detail on this Sheet), washers, and nuts conforming to **Standard Specification 9-06.5(1)** and galvanized after fabrication in accordance with AASHTO M 232. Locate anchor bolts per cabinet manufacturer. Stainless steel epoxy anchors may be used as an alternative, and shall be 1/2" (in) diameter x 9" (in), or 5/8" (in) diameter x 8" (in). All threaded rod (conforming to ASTM F593), washers (conforming to ASTM A240), and nuts (conforming to ASTM F594), shall be Type 304 stainless steel. Bolts shall extend 1 1/2" (in) min to 2" (in) max above the concrete pad.



**CABINET ENCLOSURE  
ON SLOPE**

**STANDARD PLAN J-10.15-01**

SHEET 1 OF 1 SHEET

APPROVED FOR PUBLICATION

---

STATE DESIGN ENGINEER  
Washington State Department of Transportation