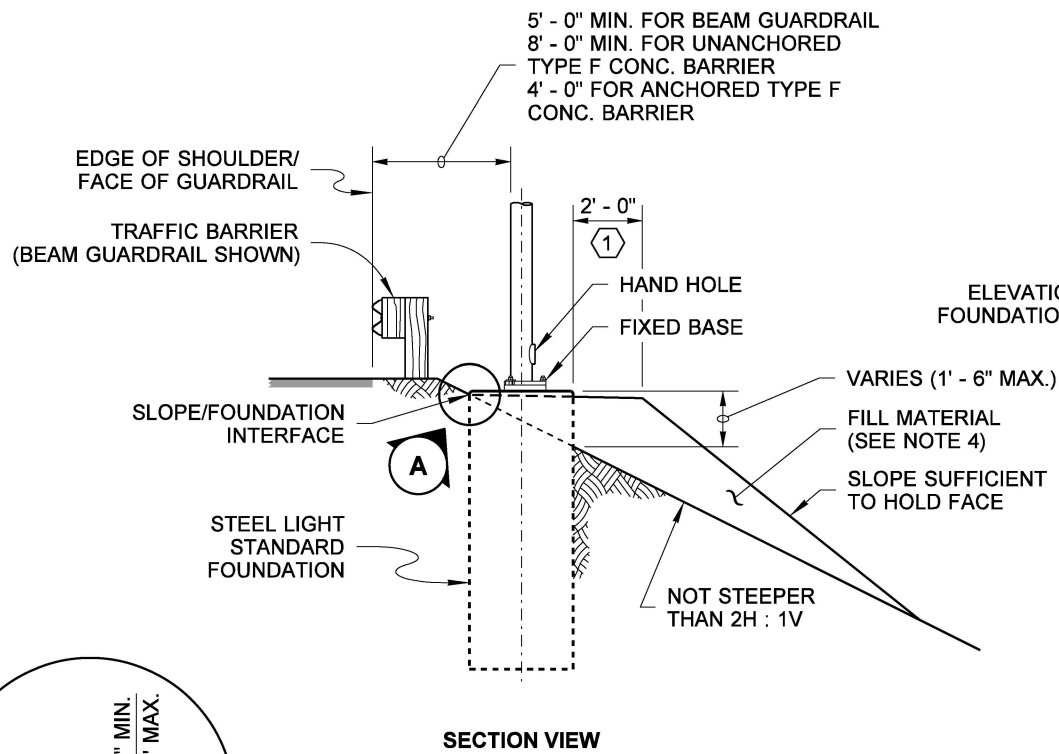
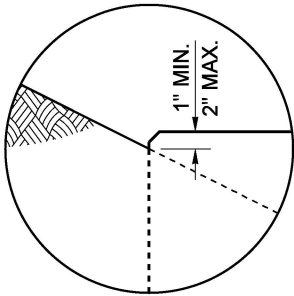


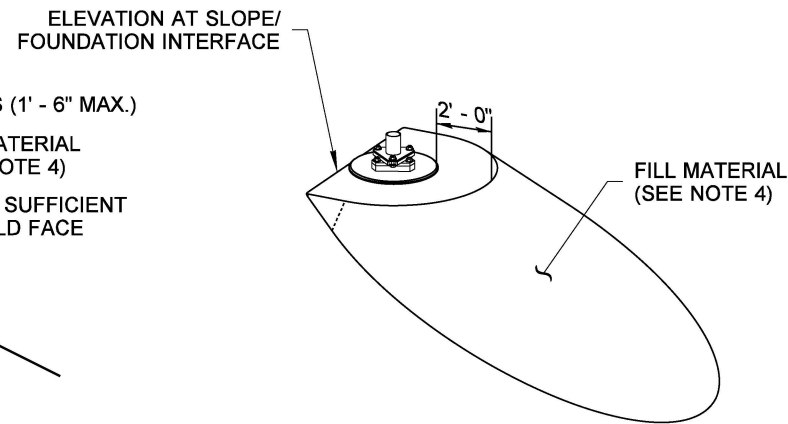
MAXIMUM CONCRETE EXPOSURE TABLE (CASE F ONLY)	
SLOPE	HEIGHT (SEE NOTE 3)
1.75H : 1V	1' - 8 1/2"
1.50H : 1V	2' - 0"
1.25H : 1V	2' - 4 3/4"



SECTION VIEW
CASE E
SLOPES 2H : 1V OR FLATTER
BEHIND TRAFFIC BARRIER



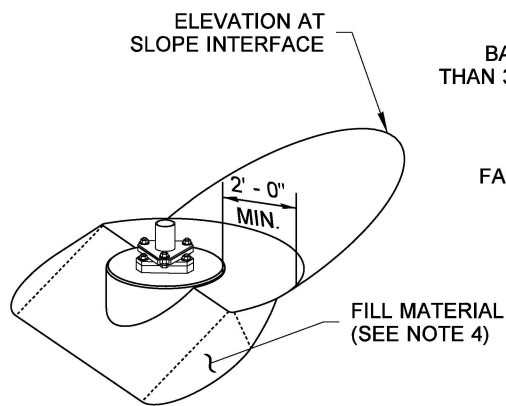
DETAIL A



PERSPECTIVE VIEW
CASE E & CASE F
MAINTENANCE PAD

EMBANKMENTS

① MAINTENANCE PAD ~
SLOPE TO DRAIN AWAY
FROM THE FOUNDATION ~
NOT STEEPER THAN 5%



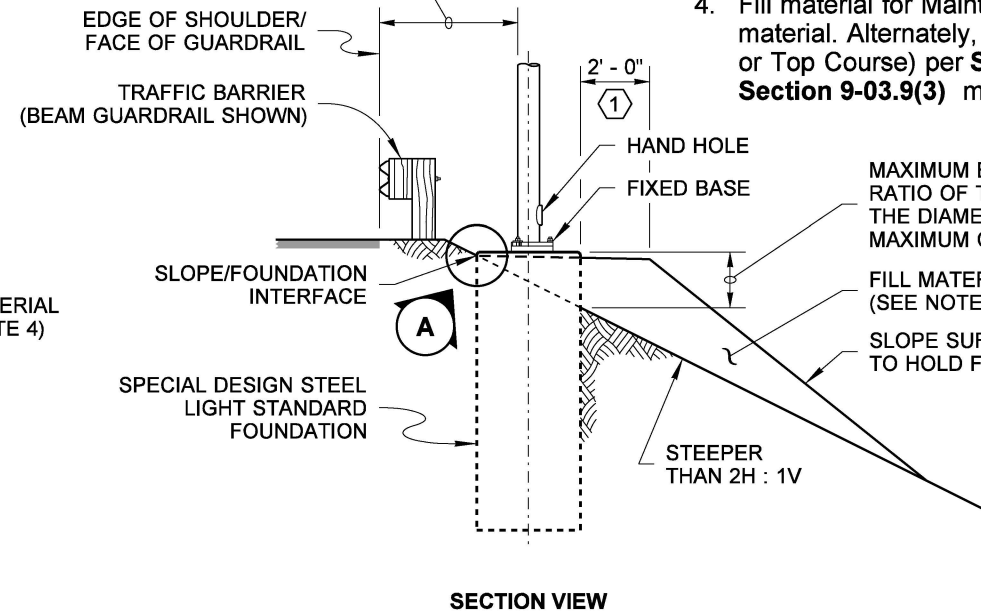
PERSPECTIVE VIEW
CASE G & CASE H
MAINTENANCE PAD

BACK SLOPES

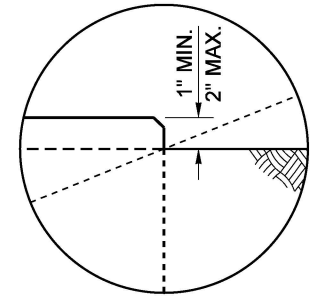
NOTES

1. See **Standard Plan J-28.30** for foundation details and construction methods.
2. See **Standard Plan J-28.50** for pole base and hand hole details.
3. Values listed in the Table were determined using a 3' - 0" diameter foundation. For design parameters between the values listed, exposure requirements may be interpolated between the values provided.
4. Fill material for Maintenance Pad shall be granular material. Alternately, Crushed Surfacing (Base Course or Top Course) per **Standard Specification, Section 9-03.9(3)** may be used.

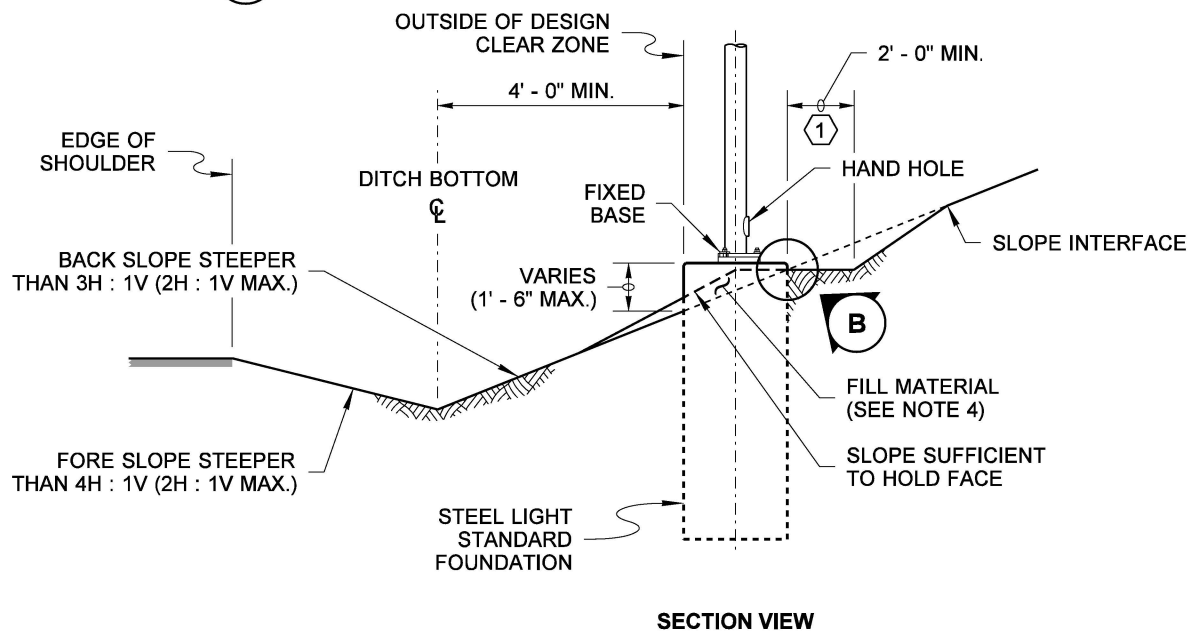
5' - 0" MIN. FOR BEAM GUARDRAIL
8' - 0" MIN. FOR UNANCHORED
TYPE F CONC. BARRIER
4' - 0" FOR ANCHORED TYPE F
CONC. BARRIER



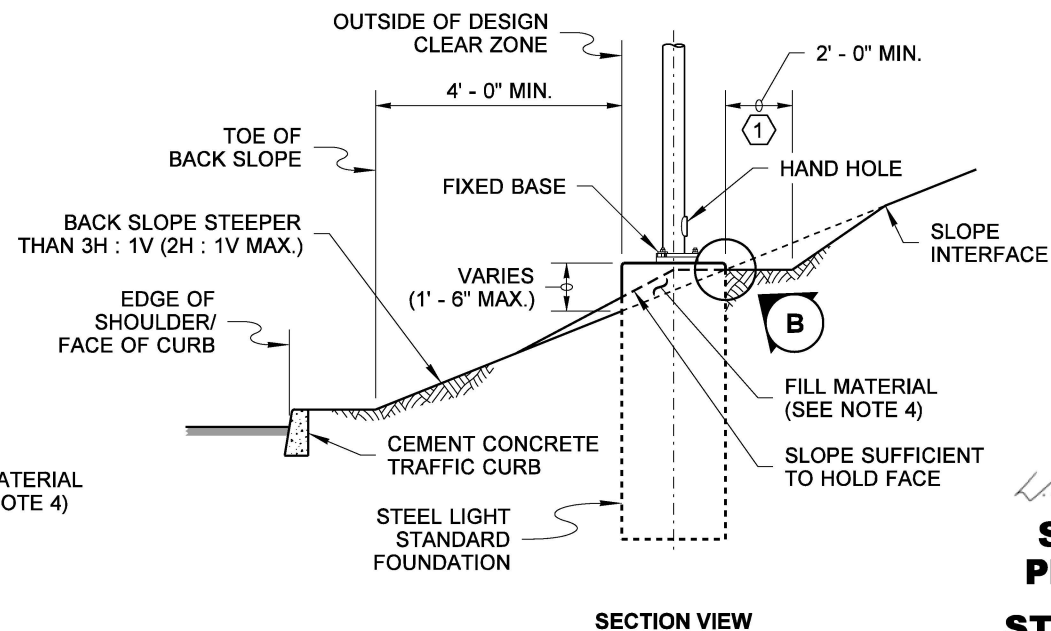
SECTION VIEW
CASE F
SLOPES STEEPER THAN 2H : 1V
BEHIND TRAFFIC BARRIER
(SPECIAL DESIGN FOUNDATION)



DETAIL B



SECTION VIEW
CASE G
ROADSIDE DITCH WITH FORE SLOPE
STEEPER THAN 4H : 1V (2H : 1V MAX.)



SECTION VIEW
CASE H
CUT SECTION WITH BACK SLOPE
STEEPER THAN 3H : 1V (2H : 1V MAX.)



Jackson, Flint
Aug 27 2020 12:01 PM

**STEEL LIGHT STANDARD
PLACEMENT (FIXED BASE)**

STANDARD PLAN J-28.24-02

SHEET 1 OF 1 SHEET

APPROVED FOR PUBLICATION

Date: 2020.09.16
10:20:59 -07'00'

STATE DESIGN ENGINEER

